

The Quantec segment light completely integrates the control inside a compact housing. Upon the connection to a power supply, each obstacle light is ready for immediate use.



Picture: Segment light for 18mm drill-hole

Key features

- Integrated brightness sensor
- LightGood Pin
- Built in over-voltage protection: Class III according to IEC61643-11
- Single M12 connector for easy and fast installation
- Maintenance free
- Corrosion resistant materials for all surfaces
- Highly UV and ozone resistant optical units and seals

Performance characteristics

- Effective Intensity:
 - red: adaptable up to 32 cd
 - infrared: 25 mW/sr (optional)
- Horizontal angle of radiation: >180°
- Vertical beam spread: >12°

Supported light profiles

- ICAO Low-Intensity, Type A
- ICAO Low-Intensity, Type B
- France Low-Intensity, Type A
- France Low-Intensity, Type B
- Infrared 25 mW/sr according to Trafi (optional)

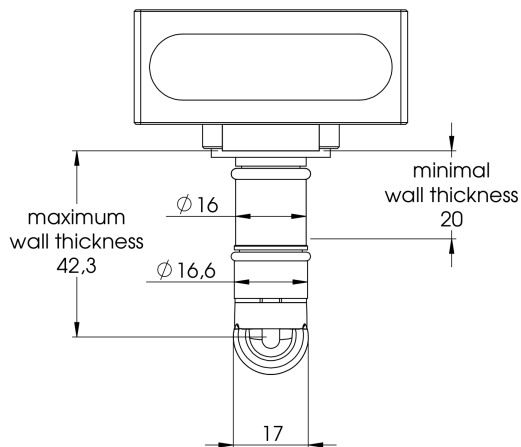
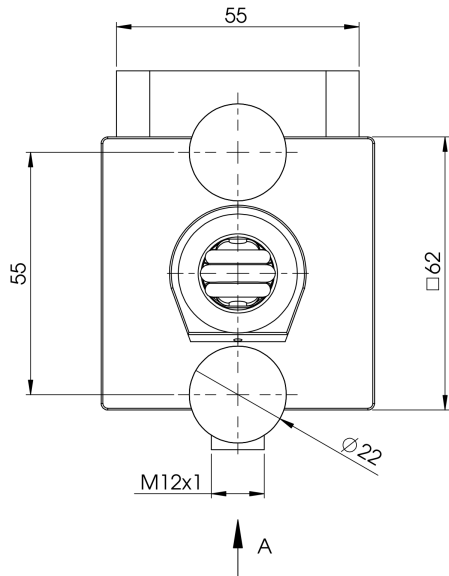
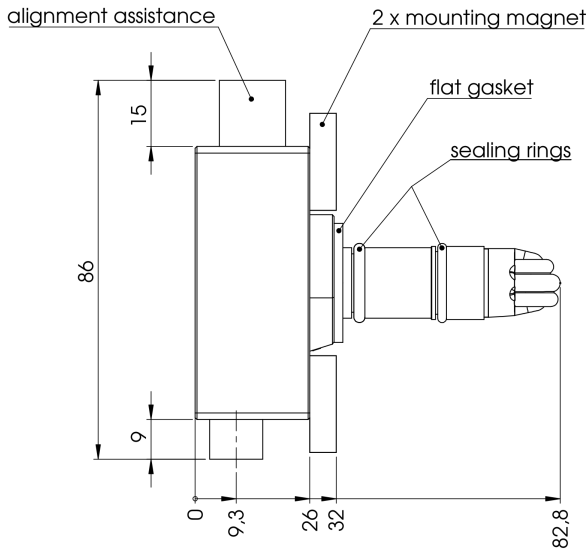
Connector pinout

Pin	Signal	Function
1	SVinfo	Test mode
2	24 V U+	Supply voltage
3	LightGood	24 V present at this pin when lights work in normal conditions. GND in case of an error or failure
4	GND	Ground
Housing	Shield	Earth grounding

Technical specifications

General			
Item number	<ul style="list-style-type: none"> • 14826 • 14820 (with IR option) 		
Illuminant	2 red LEDs 2 infrared LEDs (IR option)		
Approvals	<ul style="list-style-type: none"> • AVV 2015 Hindernisfeuer ES • ICAO Annex 14, 5th edition • STAC 		
Conformity	CE, RoHS		
Electrical characteristics			
Supply voltage	24 V DC		
Power consumption and peak current (typical)	Operating mode	P _{avg} [W]	I _{peak} [mA]
	Low-Intensity, Type A, red	3,1	256
	Low-Intensity, Type B, red (32 cd)	4,9	256
	IR 25 mW/sr according to Trafi	2,3	103
	Low-Intensity, Type A red + IR 25 mW/sr according to Trafi	3,6	284
	Low-Intensity, Type B, red + IR 25 mW/sr according to Trafi	5,4	275
Overvoltage protection	Class III according to IEC 61643-11		
Relay contact rating	Max. switching voltage	220 V DC, 250 V AC	
	Rated current	2 A	
Physical characteristics			
Dimensions	H x W x L	86 mm x 55 mm x 82,8 mm	
Supported wall thickness	20 mm ... 42 mm		
Required drill-hole diameter	min. 17.6 mm (adapter for diameters >25 mm available on request)		
Weight	approx. >270 g		
IP rating	IP 68		
Material	Anodized aluminum, seawater resistant (C5M corrosion level)		
Mounting	2 magnets		

Drawings



Environmental Specification	
Operating temperature	-40 °C to +55 °C (-40 to 131 °F)
Storage temperature	-55 °C to +70°C (-40 to 158 °F)
Relative humidity	0 to 100% r.H.
Operating altitude	0 to 2500 m (0 to 8202 ft) AMSL

Subject to change without prior notice.